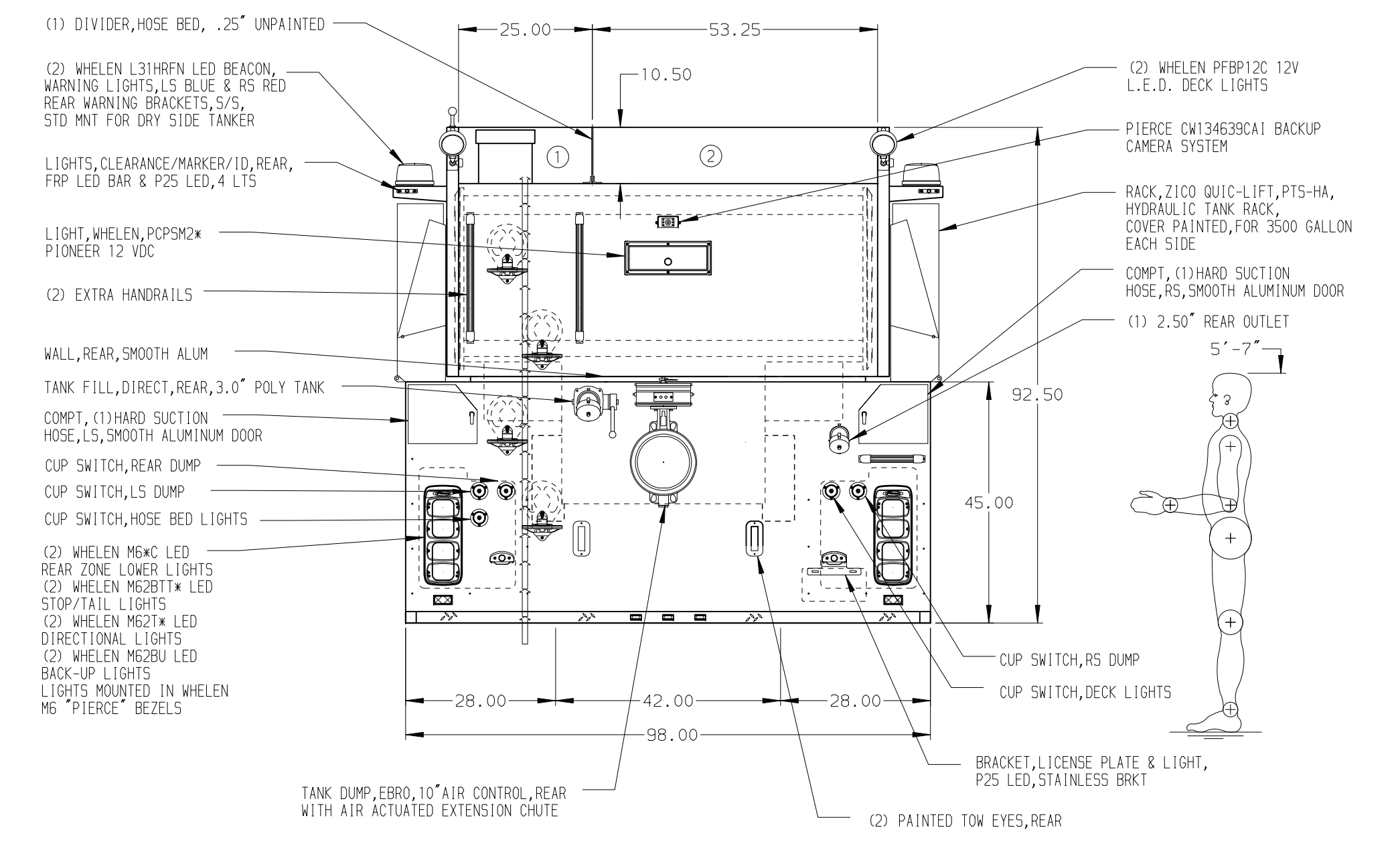
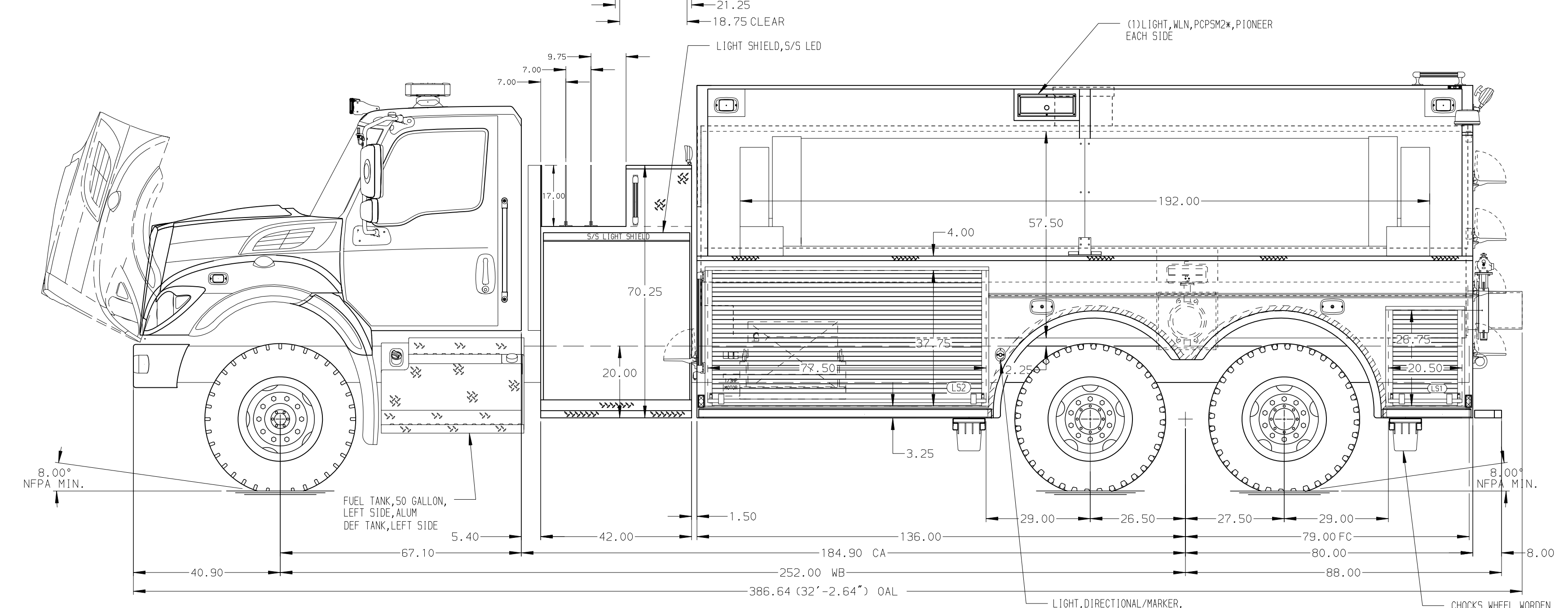


- HOSEBED CAPACITIES
- ① 500' OF 4.00" LDH
 - ② OPEN



ALUMINUM BODY

MAXIMUM O.A.L. 387"

MAXIMUM O.A.H. 120"

NOTE
DIMENSIONS SHOWN ARE APPROXIMATE AND ARE SUBJECT TO MINOR DEVIATIONS AS MAY OCCUR OR BE NECESSARY IN CONSTRUCTION. MINOR DETAILS NOT SHOWN.

REV	DATE	BY	CH	HV607
11JUL23	JLA	-	IHC	MODEL
10MAY23	RHU	AJA	CHASSIS DATA	TITLE

		JOB NO.	38464
		SCALE	DATE
TITLE	1250-D-3000 POLY, 216" DRYSIDE BODY W/CATWALKS 42" SIDE CONTROL, (2) 1.5" CROSSLAYS, (1) DEADLAY	DRAWN BY	RHU
FOR	NORFOLK FIRE DEPARTMENT, MA NORFOLK, MASSACHUSETTS	CHECKED BY	AJA
DWG NO.	38464AD	SHEET SIZE	D
		SHEET NO.	1 OF 1