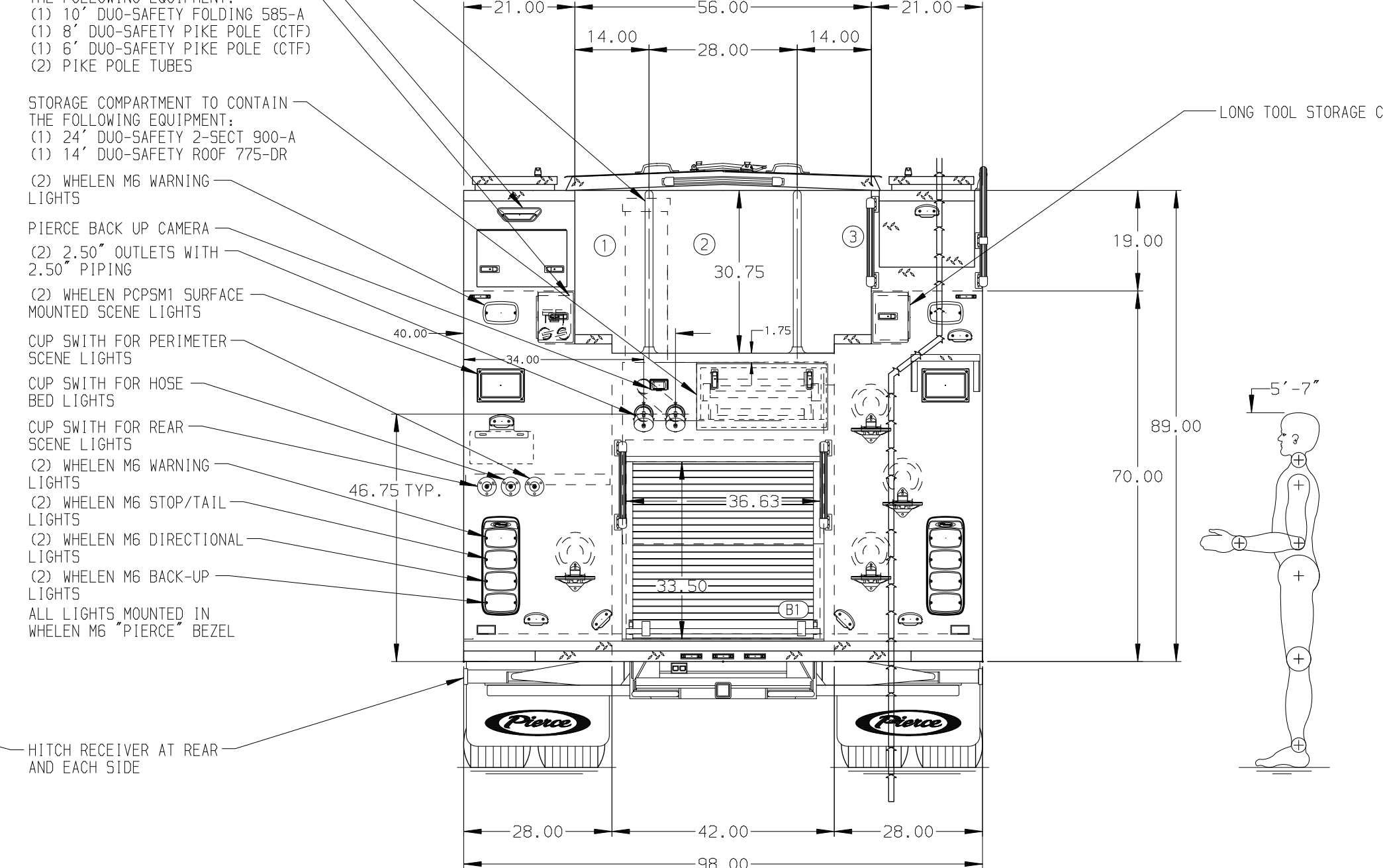
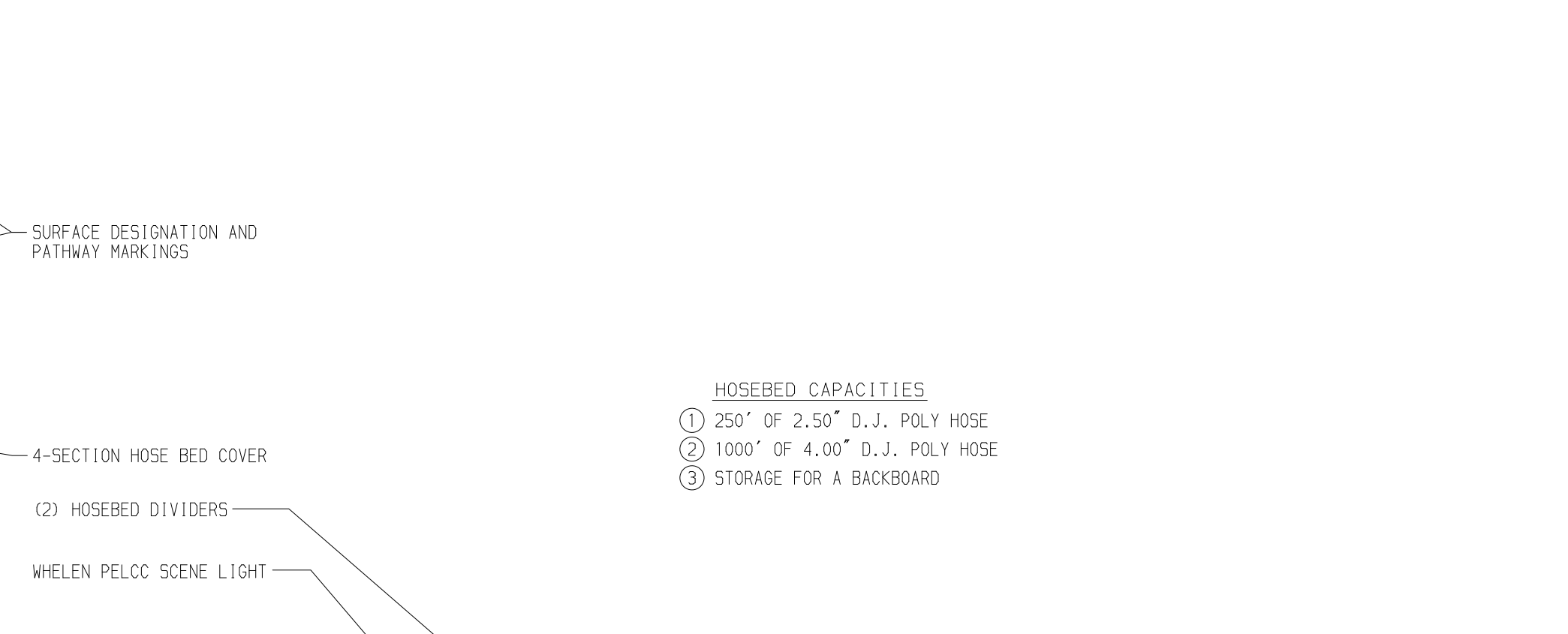
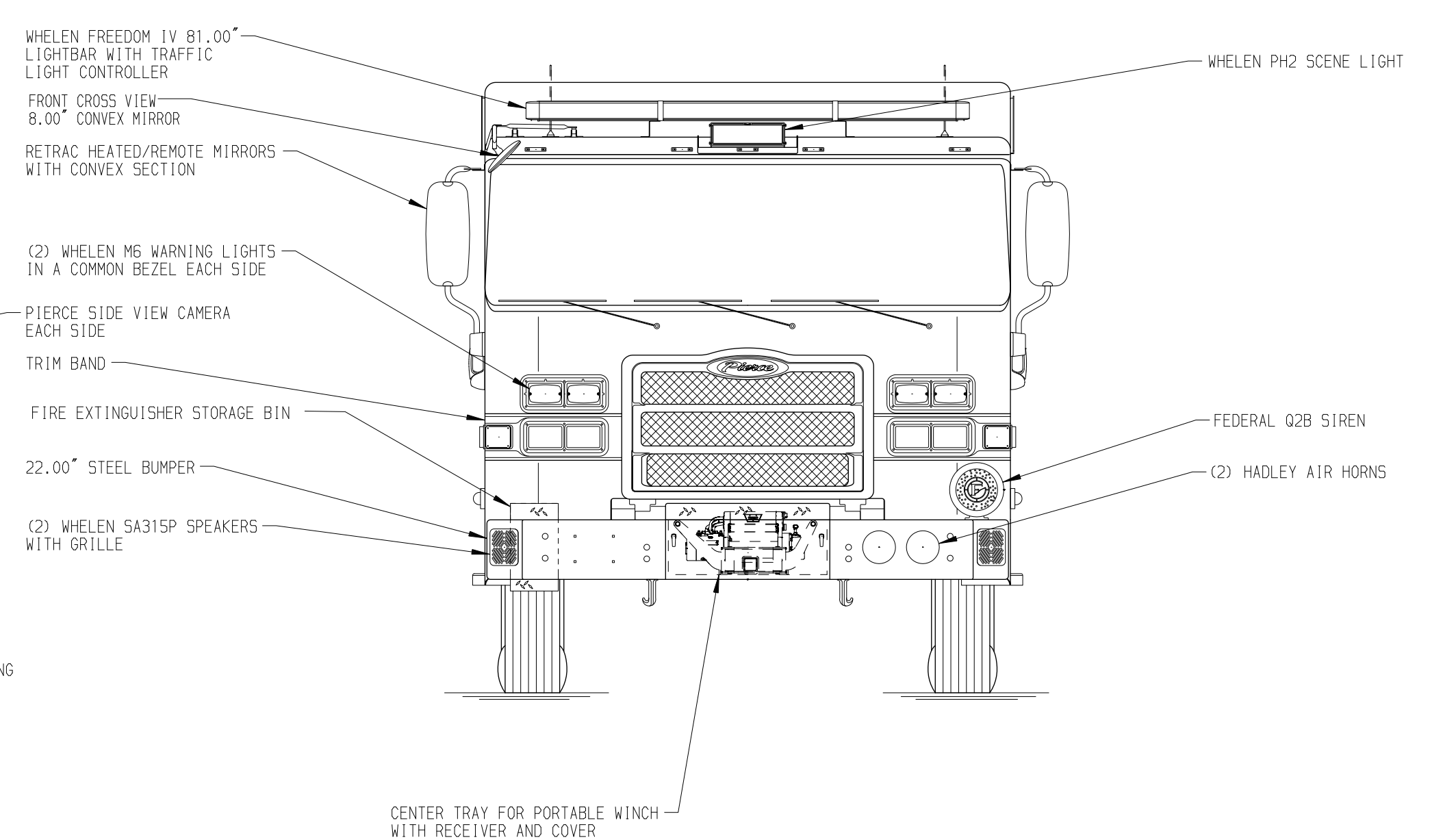


ALUMINUM BODY SIDE ROLL AND FRONTAL IMPACT PROTECTION



- HOSEBED CAPACITIES
- ① 250' OF 2.50" D.J. POLY HOSE
 - ② 1000' OF 4.00" D.J. POLY HOSE
 - ③ STORAGE FOR A BACKBOARD

NOTE
DIMENSIONS SHOWN ARE APPROXIMATE AND ARE SUBJECT TO MINOR DEVIATIONS AS MAY OCCUR OR BE NECESSARY IN CONSTRUCTION. MINOR DETAILS NOT SHOWN.

1. ONSPOUT AUTOMATIC TIRE CHAINS TO BE PROVIDED AT REAR
2. (2) ZIOMATIC SAC-44-E FOLDING WHEEL CHOCKS SHIPPED LOOSE
3. BATTERY CHARGER LOCATED PER ORDER
4. BATTERY CHARGER INDICATOR LOCATED PER ORDER
5. TEN FULL WIDTH/DEPTH ADJUSTABLE SHELVES WITH SIDES LOCATED PER ORDER
6. THREE FLOOR MOUNTED SLIDE-OUT TRAYS WITH SIDES LOCATED PER ORDER
7. TWO ADJUSTABLE TOOLBOARDS WITH PEGBOARD PATTERN MOUNTED TO SLIDE-OUT TRAY LOCATED PER ORDER
8. ONE VERTICAL PARTITION LOCATED PER ORDER
9. TWO FULL WIDTH TOOLBOARDS MOUNTED ON A 2-WAY TRAY LOCATED PER ORDER

10. PAC TRAC EQUIPMENT MOUNTING SYSTEM LOCATED PER ORDER
11. STORAGE RACK FOR (6) AIR BAGS LOCATED PER ORDER
12. FIRE EXTINGUISHER STORAGE BIN FOR (3) FIRE EXTINGUISHERS LOCATED PER ORDER
13. FOUR 120V DUPLEX RECEPTACLES LOCATED IN PER ORDER
14. SIX 120V DUPLEX RECEPTACLES IN REAR BODY COMPARTMENT LOCATED PER ORDER
15. THREE ADJUSTABLE 11L/7 SLIDE-OUT TRAYS LOCATED PER ORDER
16. ONE THREE DRAWER CTECH DRAWER ASSEMBLY LOCATED PER ORDER
17. TWO NEMA DUPLEX RECEPTACLES LOCATED IN THE CAB PER SHOP ORDER
18. FOUR NEMA DUPLEX RECEPTACLES LOCATED IN THE BODY PER SHOP ORDER

REV	DATE	BY	CH	ENFORCER
02JAN24	BST	JLL		CHASSIS DATA
17NOV23	LST	JLL		MAKE
03NOV23	LST	JLL		PIERCE
15JUN23	BST	EGO		MODEL

	MANUFACTURING INC.		JOB NO.	38331
			SCALE	1:24
TITLE 1500-D-500 GAL POLY, 214" PUC RESCUE BODY LADDERS THRU TANK, DELUGE, (2) CROSSLAYS		DATE		14JUN23
		FOR SPRINGFIELD FIRE DEPARTMENT SPRINGFIELD, MASSACHUSETTS		DRAWN BY BST
DWG NO. 38331AD		CHECKED BY EGO		SHEET NO.
		SHEET SIZE D		1 OF 1